

Cub Scout Den Meeting Outline

Month: **July**

Week: **4**

Point of the Scout Law: **Brave**

	Tiger	Wolf	Bear	Webelos	Arrow of Light
Before the Meeting	Gather materials for gathering and other activities, games and have home assignments (if any) ready.	Gather materials for gathering and other activities, games and have home assignments (if any) ready.	Gather materials for gathering and other activities, games and have home assignments (if any) ready.	Gather materials for gathering and other activities, games and have home assignments (if any) ready.	Gather materials for gathering and other activities, games and have home assignments (if any) ready.
Gathering	Flying Machines Dot to Dot				
Opening	What is a Cub Scout Opening				
Games	Land the Plane Game				
Activity	Loop Glider, Paper Helicopter				
Business items/Take home	None	None	None	None	None
Closing	Tracks of Citizens Closing				
After the meeting					

Materials:

Gathering: pencils, copies of dot to dot, crayons/markers

Opening: opening word strips

Games: blank paper to fold

Activity: paper, tape, scissors, straws, paper clips

Closing: None

Home assignments: None

Copies:

Flying Machines Dot to Dot

Paper Helicopter template

Advancement:

Tiger - None

Wolf – None

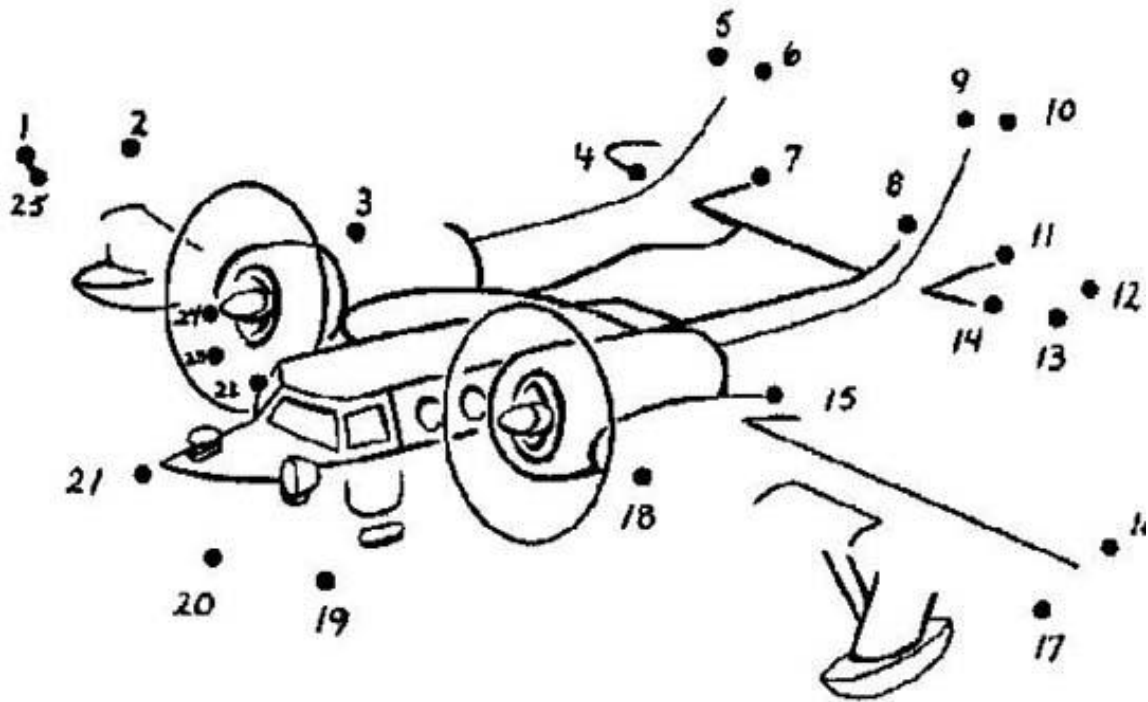
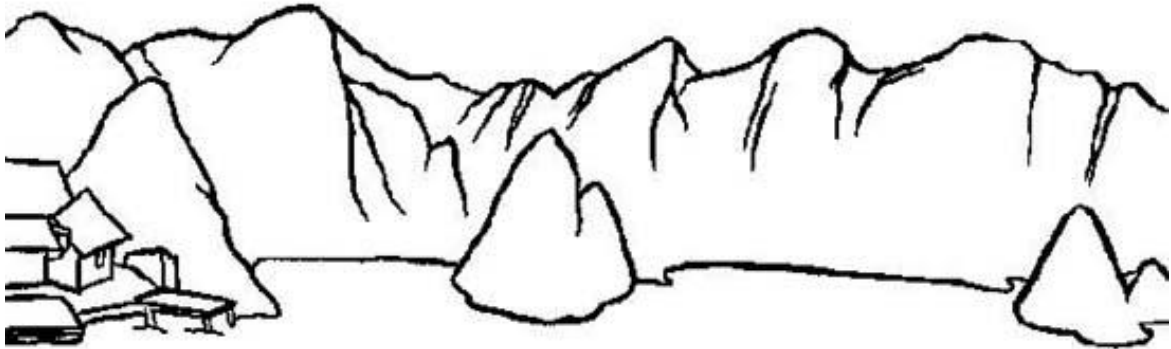
Bear – None

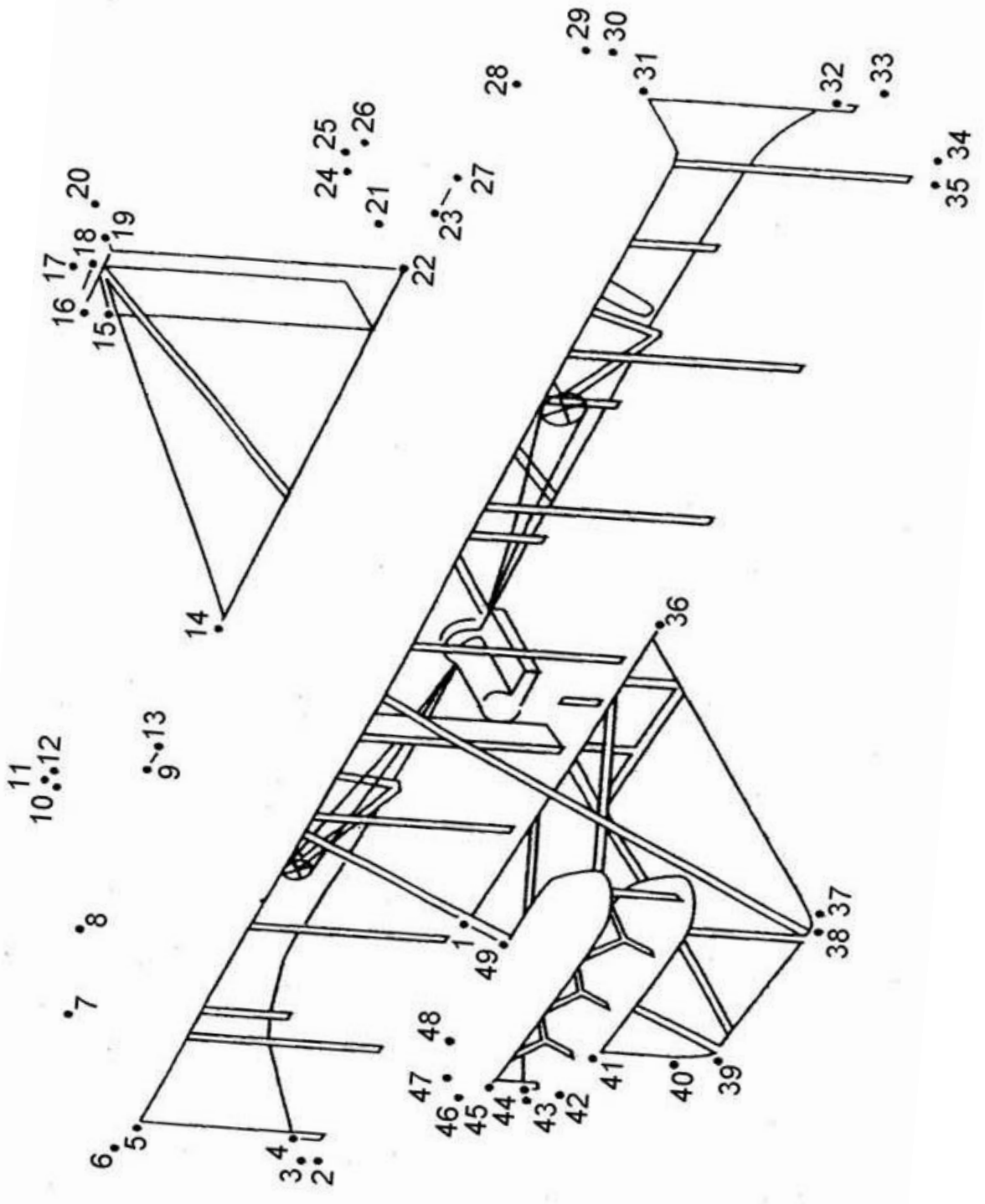
Webelos – None

Arrow of Light – None

Flying Machines Dot to Dot

Connect the dots on the front and back... Then color the flying machines!





What is a Cub Scout Opening



Materials:

Sheets with each letter of C-U-B S-C-O-U-T with the lines on the back so that they can be read in order.

Cub Scout #1: C – is for Comradeship. We learn to get along.

Cub Scout #2: U – is for Unity. Together we are strong.

Cub Scout #3: B – is for Boys! Sometimes they're wild, but mostly they're nice.

Cub Scout #4: S – is for Sportsmanship! You don't have to tell us twice.

Cub Scout #5: C – is for Courtesy. Of this we know.

Cub Scout #6: O – is for Outings. We can't wait to go!

Cub Scout #7: U – is for Universal. Scouts are known in every land.

Cub Scout #8: T – is for Teamwork. We'll lend you a helping hand.

(All the Scouts say together)

ALL: We Will Do Our Best!!

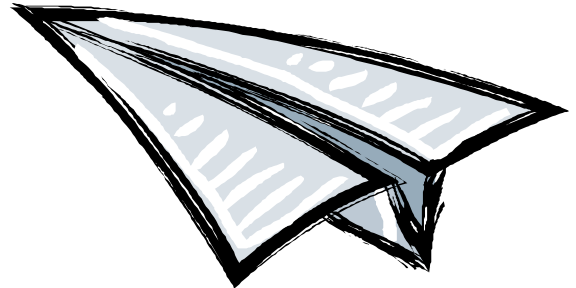
Cubmaster: Please join us in saying the Pledge of Allegiance.

Land the Plane Game

Materials:

Paper (copy paper)

Colored construction paper or card stock (3 to 4 sheets)



Directions:

1. Have each Cub Scout make his own simple paper airplane. (If a Cub Scout does not know how, see if another Cub Scout can show him how.)
2. While Cub Scouts are folding airplanes, make a “landing platform” from the construction paper by laying them down flat next to each other on the floor or ground. This landing spot can be either at the end of the room or field or in the middle of the room or field. The landing spot can be taped down if needed.
3. The object of the game is for the Cub Scouts to land their airplanes on the colored construction paper. The Cub Scouts should start 15 feet away from the landing spot to throw their airplanes. Those Cub Scouts who land their airplanes on the colored construction paper in the shortest amount of time win the game.

Variations:

1. Gradually make the landing platform smaller. Use only 2 sheets of the colored construction paper and then use only 1 sheet of the colored construction paper.
2. Have the Cub Scouts try to determine which airplane designs are the best for controlling and landing on the landing platform.

Loop Glider

Materials:

Paper strips (2 strips for each Cub Scout - 1 inch wide paper strips - 1 strip cut 10" long, 1 strip cut 7" long)

Clear adhesive tape or masking tape

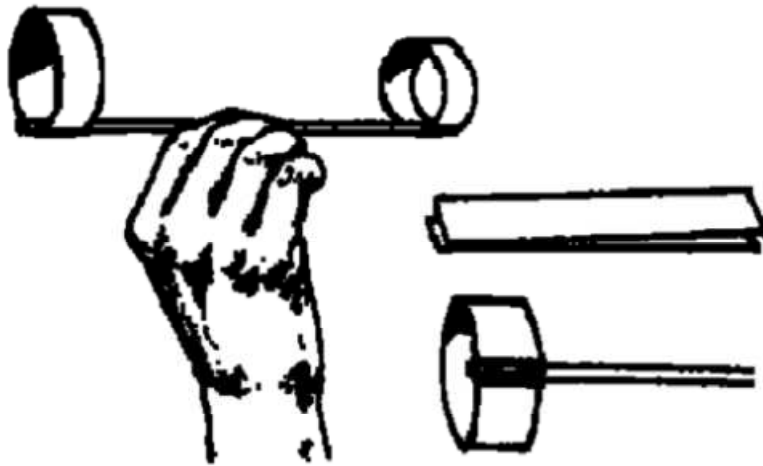
Straws – 1 per Scout

Scissors

Pencils and rulers is the Cubs are making the strips – 1 per Scout

Directions:

1. Tape each strip into loops.
3. Tape the loops onto the straw, one in the front and the other in the back.
4. Hold the straw with the small loop in front and launch the glider.
5. The Cub Scouts can have glider races, or try to hit a designated target.



Paper Helicopters

Materials:

Templates printed on cardstock or paper

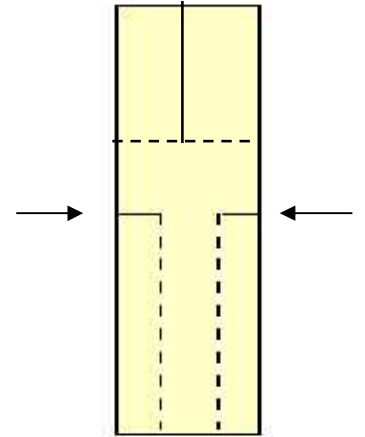
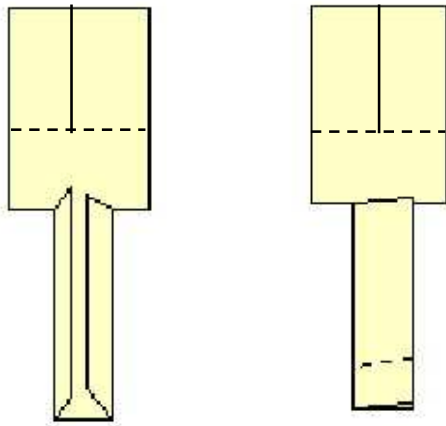
Scissors

Paper clip (one per helicopter)

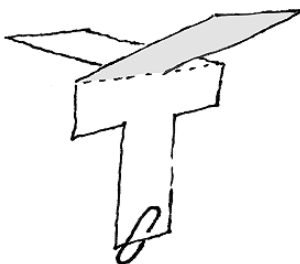
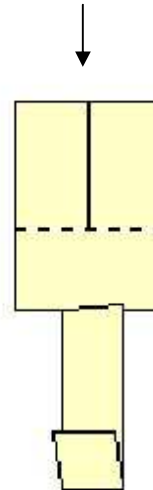
Directions:

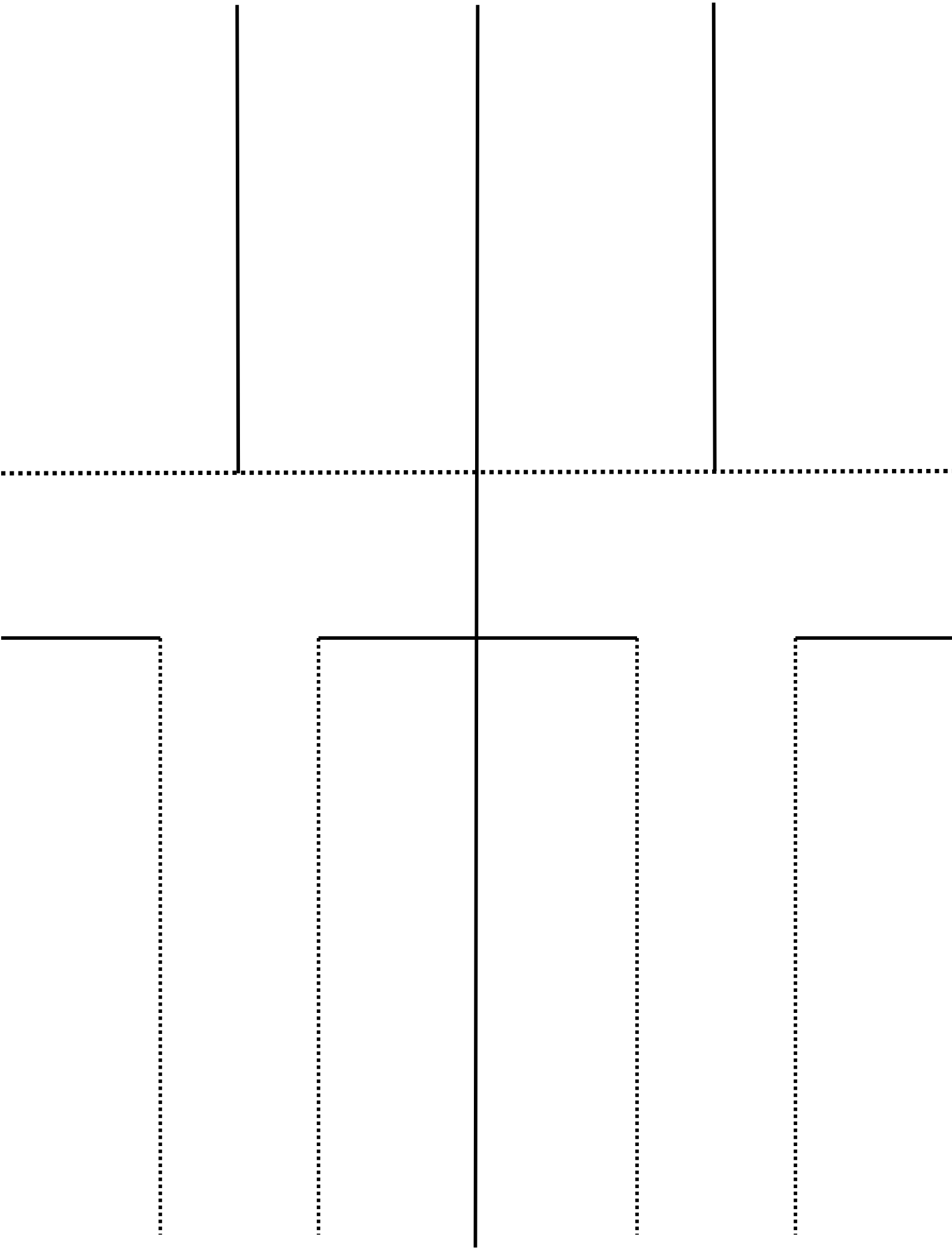
Important – only cut on solid lines, fold on dotted lines

1. Lay your template as shown.
2. Starting at the edges in the middle, cut towards the middle of the cardstock/paper (cut along the two small solid lines).
3. Fold the two side pieces towards each other along the dashed lines.



4. Fold up the bottom edge about one inch from the bottom edge.
5. Cut along the solid line at the top down until you reach the dashed line.
6. Fold the top parts of the helicopter down – one side folds forward and one side folds backwards.
7. Add a paper clip at the bottom to add weight.
8. Throw it up into the air and watch it fly!





Tracks of Citizens Closing

Materials:

None

Cubmaster:

Being loyal and being a good citizen go hand in hand. As we try to be a good citizen and neighbor, we are loyal and courageous.

Robert Baden-Powell knew that —No one can pass through life, any more than he can pass through a bit of country, without leaving tracks behind, and those tracks may often be helpful to those coming after him in finding their way. Let's each make sure that OUR tracks lead other in the right pathway – towards being a good citizen and helping our neighbors and friends!

